

Student's Name :

class:

.....\ 5 marks

1-Read the following passage and answer the questions below:

Ali and his father went to a garage sale early on Saturday morning. The garage sale was near their house. They saw many old things like toys, books, and clothes. Ali looked at everything carefully. He found a small red toy car and showed it to his father. His father asked the seller for the price and bought the toy because it was cheap. Ali also saw old storybooks and helped his father choose one. . Ali felt happy and enjoyed spending time with his father.

A.Choose the correct answer.

1-Where did Ali and his father go?		
a-museum	b-bank	c- garage sale
2- What day did they go to the garage sale?		
a- on Saturday	b-on Monday	c-on Sunday
3- They saw many old things like, books, and clothes.		
a- toys	b-football	c-cars

B. Put (✓) or (X)

- 1- The garage sale was near their house. ()
2- The toy car was very expensive.()

.....\ 5 marks

2-Choose the correct answer.

1- She studied in London, she?	a- didn't	b-aren't	c- doesn't
2- Sara should..... the doctor.	a- saw	b- seen	c-see
3- You must at the traffic light.	a- stops	b-stopping	c-stop
4- Omar drives	a- slow	b- slowly	c-slows
5- Don't your car there.	a- parks	b- park	c- parking

3-Do as shown between brackets.

(use adverb of manner)

a- They are fast runner.
.....

(reorder)

a- Why\ we \ order \a pizza \ don't \ ?
.....

.....\ 2 marks

.....\ 4 marks

4- write the correct word under each picture (windshield wiper – hose – saw - trunk)



.....

.....

.....

.....

.....\ 2 marks

5- Choose the correct answer.

- 1- Three children born at the same time : (baby – child – triplets).
- 2- Study and research : (investigate – trend – heredity)

6. Choose the missing letter.

- 1- She was wearing a bei...e dress. (s – g – z)
- 2- You must obey the roadigns. (q – s – u)

.....\ 2 marks

7- write the missing letter



.....ot



s.....ord



Your teacher:



نموذج الإجابة



.....\ 5 marks

1-Read the following passage and answer the questions below:

Ali and his father went to a garage sale early on Saturday morning. The garage sale was near their house. They saw many old things like toys, books, and clothes. Ali looked at everything carefully. He found a small red toy car and showed it to his father. His father asked the seller for the price and bought the toy because it was cheap. Ali also saw old storybooks and helped his father choose one. . Ali felt happy and enjoyed spending time with his father.

A.Choose the correct answer.

1-Where did Ali and his father go?		
a-museum	b-bank	c- garage sale
2- What day did they go to the garage sale?		
a- on Saturday	b-on Monday	c-on Sunday
3- They saw many old things like, books, and clothes.		
a- toys	b-football	c-cars

B. Put (✓) or (✗)

- 1- The garage sale was near their house. (✓)
2- The toy car was very expensive.(✗)

.....\ 5 marks

2-Choose the correct answer.

1- She studied in London, she?	a- didn't	b-aren't	c- doesn't
2- Sara should..... the doctor.	a- saw	b- seen	c-see
3- You must at the traffic light.	a- stops	b-stopping	c-stop
4- Omar drives	a- slow	b- slowly	c-slows
5- Don't your car there.	a- parks	b- park	c- parking

3-Do as shown between brackets.

(use adverb of manner)

a- They are fast runner.
They run fast

(reorder)

a- Why\ we \ order \a pizza \ don't \ ?
Why don't we order a pizza?

.....\ 2 marks



.....\ 4 marks

4- write the correct word under each picture (windshield wiper – hose – saw - trunk)



trunk



hose



saw



Windshield wiper



.....\ 2 marks

5- Choose the correct answer.

- 1- Three children born at the same time : (baby – child – triplets).
- 2- Study and research : (investigate – trend – heredity)

6. Choose the missing letter.

- 1- She was wearing a bei...e dress. (s – g – z)
- 2- You must obey the roadigns. (q – s – u)

.....\ 2 marks

7- write the missing letter



pot



sword



Your teacher:



Total

المجموع	تحريري	شفهي
20	10	10



Kingdom of Saudi Arabia

Ministry of Education

..... Education Directorate

..... Intermediate School

First Period Exam _ Second Term

Third Intermediate Grade

Name

Class

Comprehension

/ 2

Read the following then answer the questions:

Bobby Shafran started a new semester at Sullivan Community College in New York. The previous semester Eddy Galland was a student there. The two teens looked exactly alike. Another student confused Bobby with Eddy, and then he realized that the boys were probably brothers. That student introduced Bobby to Eddy. The two boys found out that they were in fact twins, born at the same time. The boys were orphans and grew up in two different families

A- Put (√) for true or (X) for false :

1. The previous semester Eddy was a student at Sullivan Community College .	()
2. The boys were orphans and grew up in the same family .	()

B- Choose the right answer:

1- Sullivan Community College is in _____.	London	New York	Washington	Tokyo
2- Bobby and Eddy were in fact _____.	teachers	friends	twins	cousins

Grammar

/ 2.5

Choose the right answer:

- 1- You live in Dammam, _____?
- A. aren't you B. do you C. don't you D. doesn't he
- 2 - _____ you coming with us?
- A. Aren't B. Don't C. Haven't D. Isn't
- 3 - She didn't work in a school, _____?
- A. didn't she B. did she C. doesn't she D. does she
- 4 - How did she walk? She walked _____.
- A. slow B. happy C. quick D. quickly
- 5 - The **adverb** form of **good** is _____.
- A. good B. will C. well D. going

A- Choose the best answer to fill in the blank:

1. Someone you don't know left a message on your _____ .			
book	cell phone	chair	school
2. _____ is a child who has lost his parents .			
Orphan	Twin	Confuse	Aunt
3. What do you use to clean the living room ?			
a sofa	a ladder	a vacuum cleaner	a wall
4- The _____ turns the car on.			
ignition	headlight	signal light	GPS

B- Put the right word under its picture:

pliers - hammer - seat belt - hose - break pedal



Choose the correct letter:

1. Was Ahmed able to fi_ the car?	l	x	k
2. she found a set of nice crystal gla_ses	s	d	v

Good luck

T.

Total

المجموع	تحريري	شفهي
20	10	10

First Period Exam _ Second Term

Third Intermediate Grade

نموذج الإجابة

12

Read the following then answer the questions:

Bobby Shafran started a new semester at Sullivan Community College in New York. The previous semester Eddy Galland was a student there. The two teens looked exactly alike. Another student confused Bobby with Eddy, and then he realized that the boys were probably brothers. That student introduced Bobby to Eddy. The two boys found out that they were in fact twins, born at the same time. The boys were orphans and grew up in two different families

A- Put (√) for true or (X) for false :

1. The previous semester Eddy was a student at Sullivan Community College .	(<u>√</u>)
2. The boys were orphans and grew up in the same family .	(<u>X</u>)

B- Choose the right answer:

1- Sullivan Community College is in _____.	London	New York	Washington	Tokyo
2- Bobby and Eddy were in fact _____.	teachers	friends	twins	cousins

Grammar

Choose the right answer:


- You live in Dammam, _____?
A. aren't you B. do you C. **don't you** D. doesn't he
- _____ you coming with us?
A. **Aren't** B. Don't C. Haven't D. Isn't
- She didn't work in a school, _____?
A. didn't she B. **did she** C. doesn't she D. does she
- How did she walk? She walked _____.
A. slow B. happy C. quick D. **quickly**
- The **adverb** form of **good** is _____.
A. good B. will C. **well** D. going

A- Choose the best answer to fill in the blank:

1. Someone you don't know left a message on your _____ .			
book	cell phone	chair	school
2. _____ is a child who has lost his parents .			
Orphan	Twin	Confuse	Aunt
3. What do you use to clean the living room ?			
a sofa	a ladder	a vacuum cleaner	a wall
4- The _____ turns the car on.			
ignition	headlight	signal light	GPS

B- Put the right word under its picture:

pliers - hammer - seat belt - hose - break pedal

				
break pedal	seat belt	hose	pliers	hammer

Choose the correct letter:

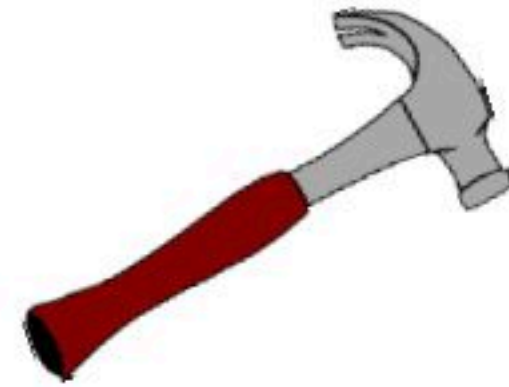
1. Was Ahmed able to fi_ the car?	l	x	k
2. she found a set of nice crystal gla_ses	s	d	v

Good luck

T.

B- Write the words under the pictures:

ignition – broom – rearview mirror – hammer



IV. Orthography:

A- Choose the correct missing letters:

1- They have a lot of **anti__ue** furniture in their house.

a- c	b- k	c- q
------	------	------

2- We use a **fo__k** to eat food.

a- l	b- r	c- c
------	------	------

3- He was arrested for driving without a **licen__e**.

a- c	b- s	c- z
------	------	------

1- We must **o__ey** the road signs.

a- b	b- d	c- p
------	------	------

Good Luck ☺

Ms. Tahani Al-Ghamdi



B- Write the words under the pictures:

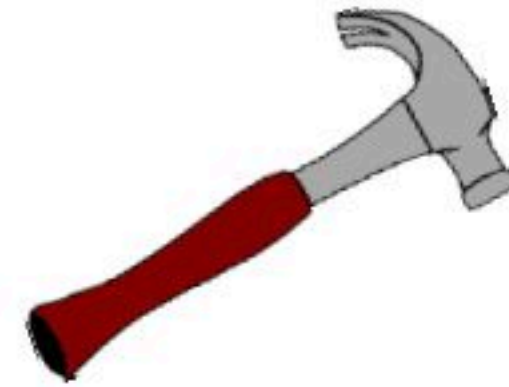
ignition – broom – rearview mirror – hammer



rearview mirror



ignition



hammer

IV. Orthography:

A- Choose the correct missing letters:

1- They have a lot of **anti__ue** furniture in their house.

a- c	b- k	c- q
------	------	-------------

2- We use a **fo__k** to eat food.

a- l	b- r	c- c
------	-------------	------

3- He was arrested for driving without a **licen__e**.

a- c	b- s	c- z
------	-------------	------

1- We must **o__ey** the road signs.

a- b	b- d	c- p
-------------	------	------

Good Luck ☺

Ms. Tahani Al-Ghamdi





I. Comprehension:

Use the following word bank to write a paragraph about what you are learning to do.

WORD BANK: (year – speak – alphabet – conversation – understand – fluently)

II. Grammar:

A- Choose:

- 1- Let's (**go – went – going**) to the beach this afternoon.
- 2- He will (**was able to – were able to – be able to**) late.
- 3- She ate a burger, (**don't she – doesn't she – didn't she**)?

B- Do as shown between brackets:

- 1- Why don't we have a garage sale?
..... (Accept the suggestion)
- 2- They aren't football players,? (Complete the tag question)

III. Vocabulary:

A- Write the words under the pictures:

saw – knife – teddy bear – luggage – hammer



B- Fill in the blank with the correct words in the box:

heredity – lawn mower – talkative

- 1- My friend is a person.
- 2- We need a to cut the grass.

IV. Orthography:

A- Choose the correct missing letters:

- 1- They have a lot of **ant__que** furniture in their house.

a- i

b- o

c- u

- 2- We use a **f__rk** to eat food.

a- u

b- o

c- a

- 3- You shouldn't use the **ho__e** to wash your car.

a- c

b- s

c- z

- 4- The best way to open it is with **p__iers**.

a- r

b- n

c- l

- 5- He is drinking with a **c__p** and saucer.

a- u

b- a

c- k

- 6- She is sweeping with a **b__oom**.

a- l

b- r

c- t

Good Luck ☺

Ms. Tahani Al-Ghamdi

I. Comprehension:

Use the following word bank to write a paragraph about what you are learning to do.

WORD BANK: (year – speak – alphabet – conversation – understand – fluently)

Varied

II. Grammar:

A- Choose:

- 1- Let's (**go** – went – going) to the beach this afternoon.
- 2- He will (**was able to** – were able to – **be able to**) late.
- 3- She ate a burger, (**don't she** – doesn't she – **didn't she**)?

B- Do as shown between brackets:

- 1- Why don't we have a garage sale?
That's a good idea. or **OK.** or **Sure.** (Accept the suggestion)
- 2- They aren't football players, **are they?** (Complete the tag question)



III. Vocabulary:

A- Write the words under the pictures:

saw – knife – teddy bear – luggage – hammer



hammer



knife



saw



teddy bear

B- Fill in the blank with the correct words in the box:

heredity – lawn mower – talkative

- 1- My friend is a **talkative** person.
- 2- We need a **lawn mower** to cut the grass.

IV. Orthography:

A- Choose the correct missing letters:

- 1- They have a lot of **ant__que** furniture in their house.

a- **i**

b- o

c- u

- 2- We use a **f__rk** to eat food.

a- u

b- **o**

c- a

- 3- You shouldn't use the **ho__e** to wash your car.

a- c

b- **s**

c- z

- 4- The best way to open it is with **p__iers**.

a- r

b- n

c- **l**

- 5- He is drinking with a **c__p** and saucer.

a- **u**

b- a

c- k

- 6- She is sweeping with a **b__oom**.

a- l

b- **r**

c- t

Good Luck ☺

Ms. Tahani Al-Ghamdi

Name:.....

Class:.....

Mark:.....

✿ Reading comprehension ✿

..... /5 marks

Read the following passage and answer the questions below:

Mira and Lila were twin sisters who grew up in different families. They didn't meet until they were 42 years old.

When they finally met, they were surprised—they were both wearing the same clothes! As they talked, they found more similarities. They both loved painting, drank hot tea with lemon, and their cats had the same name. They laughed a lot together, so people called them "The Laughing Sisters."

1) Fill in the Blank: Fill in the blank with the correct words.

1. Mira and Lila were:		
a. friends	b. twin sisters	c. cousins
2. They grew up in:		
a different family	b. the same family	c. the same city
3. How old were they when they met?		
a. 20	b. 32	c. 42

2) Choose(✓) or (×)

- They both liked hot tea with lemon. ()
- They had dogs with the same name. ()

✿ Grammar ✿

..... /7 marks

2) Choose the correct

1. They aren't from here, _____ they?	are	is	aren't
2. Ahmed should _____ healthy food.	eat	ate	eating
3. He brushed his teeth this morning, _____ he?	did	don't	didn't
4. You _____ stop at the traffic lights.	must	should	would
5. My father is a hard worker. He works _____.	hards	hard	hardly

1) Write the correct answer.

- Tariq drives under the speed limit. He drives _____(slow)
- order / some/ Let's / food _____ . **(reorder)**

❁ Vocabulary ❁

...../6 marks

1) Match the following.

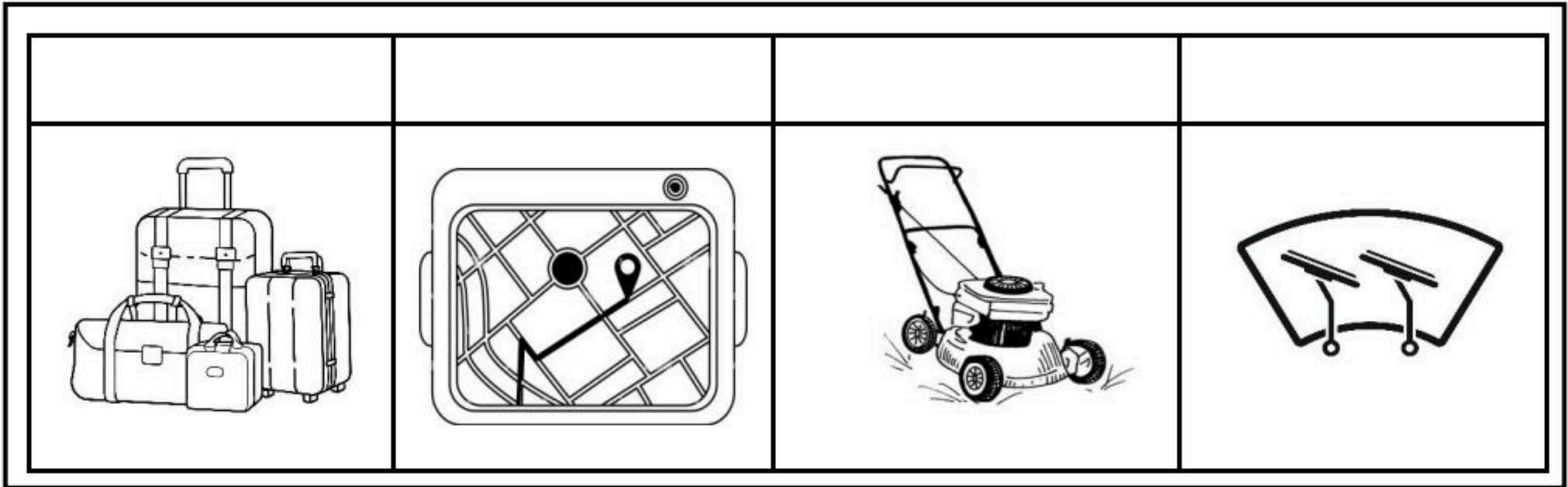
1. cleaning		lights
2. steering		frying pan
3. signal		wheel
4. cooking		mob

2) Choose the correct answer:

1. A child who has lost his parents. [orphan/boy/kid]
2. Three children were born at the same time. [brothers/friends/triplets]
3. We use it to slow or stop the car. [dashboard/brake pedal/gas pedal]
4. _____ and broom are used for cleaning. [pot/fan/hose]

3) Write the correct words under each picture.

Windshield/Lawn mower/GPS/Luggage



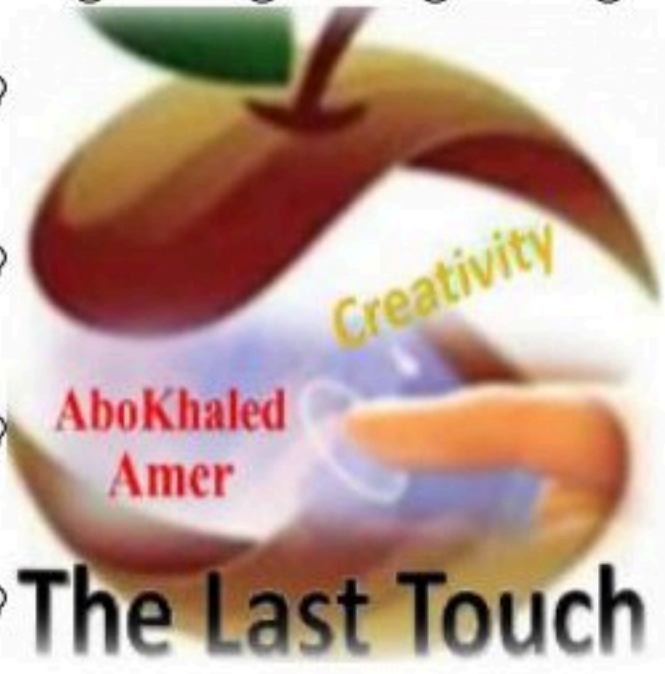
❁ Orthography ❁

2 marks

1) Choose the correct letter.

1. You should dri__e carefully. (v – f - k)
2. We use a saw and ham__er for repairing. (n – m - l)
3. You must obey the road si__ns. (g – c - q)
4. I met my best friend by coi__cidence. (m – h – n)

❁ With my best wishes ❁



Second Term 1447 H First Session Test

اسم الطالب: _____ الصف: الثالث المتوسط

Write the correct word under each picture: (6 M)

1. hammer 2. No Parking 3. ladder 4. knife 5. Stop 6. gas tank 7. fish



()



()



()



()



()



()

Match the following: (6M)

1. I'm doing 60.	----	a. board
2. steering	----	b. a way to respond to an introduction.
3. dash	----	c. wheel
4. How do you do?	----	d. a machine to cut lawn.
5. lawn mower	----	e. I'm driving 60 kilometers per hour.
6. pot	----	f. something which you use to cook food.
	----	g. play football.

Choose the correct answer: (6M)

1. She doesn't come, (doesn't she – she doesn't – does she – she does)?
2. He (have – are – were – is) able to clean the room.
3. Tomorrow, I (was – am – will – have) be able to come.
4. You (must – mustn't – is must – should) stop at the traffic lights.
5. You (should – shouldn't – is should – must) eat when you're driving.
6. She plays (quiet – quietly – quietness – quieter).

Supply the missing Letter: (2M) (g - o - s - t)



spo__n



sea__ belt



ho__e



dan__er